



efi REGGIANI VOGUE

Digital Printer
for Direct Printing on Fabric

In
VOGUE

What you need is what's in VOGUE

VOGUE is EFI™ Reggiani's revolutionary cutting-edge textile printer. Its most fashionable qualities? VOGUE's innovative ink recirculation system reduces ink and maintenance costs during machine operation and between stoppages. Thanks to the enhanced proprietary printing software and electronics, VOGUE enables real time image processing and integrates higher uniformity printing modes for high quality results. Plus, VOGUE masters speed and tension to ensure the most accurate fabric handling you've ever experienced and reduces the need for environmental conditioning, saving energy.

At a glance

Enhanced ink recirculation system

- Dramatic reduction of maintenance needs and stoppages
- Increased tolerance to environmental conditions
- Superior versatility to manage a wider variety of inks

New printing software

- Real-time image processing without additional calculation
- Printing parameters and geometry change on the fly
- Easy-to-plan and flexible queue and job list
- Ink consumption and speed prediction before printing

Proprietary printing head electronics

- Now embedded in a fully enclosed protection cap with single cable
- Easy printing heads removal and simplified print carriage layout
- Quick and tool free printing heads alignment

Exclusive mini dynaplast with adjustable pressure

- Compensates step vs continuous movement for the best fabric handling and adhesion

Integrated environmental sensor

- Monitors temperature and humidity in the printing chamber with on-screen reporting
- Warns the operator when values are exceeding the set point

APPLICATIONS	
Apparel and accessories	✓
Home textile	✓
Sportswear and footwear	✓

INKS	
Reactive	✓
Acid	✓
Disperse direct	✓
Disperse sublimation	✓
Textile pigment	✓

SUBSTRATES	
Cotton	✓
Polyester	✓
Polyamide	✓
Silk	✓
Viscose	✓
Polyester and elastane	✓
Polyamide and elastane	✓
Blends	✓





Features

- 16 printing heads with full variable drop size
- Ink management: in-line continuous degassing and filtering
- Printing head crash protective system
- High-precision transportation belt
- Adhesion methods: thermoplastic, permanent, resin
- Embedded magnetic system for adhesive application
- Steel beam with linear motor and magnetic encoder
- High efficiency dryer
- Ink system open to certified suppliers
- Possibility to monitor and export all printing and printer data to an external DB or ERP
- Software open to main RIP vendors

Advantages

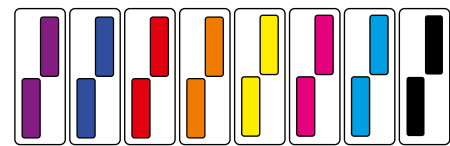
- Smaller footprint on a single block
- Quick set up time and superior reliability
- Reduced purging and maintenance needs
- More environmental conditions tolerant
- Easy access to main machine modules
- Suitable for 24/7 operation
- One operator can manage multiple machines

Improvements

- Belt washing with both continuous and stop-and-go capabilities with air blade NEW
- Enhanced high uniformity printing modes NEW
- Innovative and adaptive GUI with advanced queuing features
- Job editor: what you see is what you get in each and every moment
- Integrated water filtration system
- Ink supply system with feeding by tanks max 12 lt integrated inside the printer




8 COLOURS
16 HEADS
8 EACH ROW



* Further colour configurations available

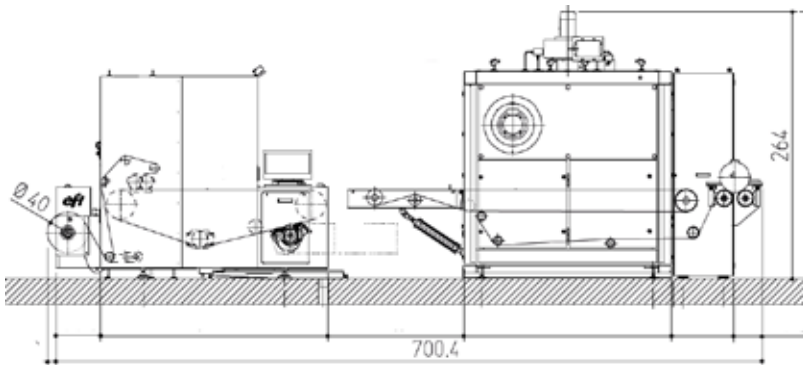
VOGUE			
RESOLUTION	PASS	LM/H	SQM/H
600x600	2	215	325
600x900	3	145	220
600x1200	4	105	160

Specifications

- Printing width 180 cm
- Production speed up to 325 sqm/h
- Printing heads 16
- Drop size from 4 to 72 pl
- DPI up to 2400
- Fabric weight from 30 to 350 gr/sqm (woven and knitted)
- **Fabric feed (Entry)**
 - Roll unwinder up to \varnothing 400 mm
 - Big roll unwinder (A frame) up to \varnothing 1.600 mm
- **Fabric take-up (Exit)**
 - Fold
 - Roll winder up to \varnothing 400 mm
 - Fold and roll winder up to \varnothing 400 mm (optional)
- **Dryer**
 - One industrial chamber with conveyor belt with one or three passages



EFI Reggiani VOGUE: regulatory model ReNOIR 180



Download the EFI™ Go app and manage VOGUE in real time



efi Go!

EFI fuels success.

We develop breakthrough technologies for the manufacturing of signage, packaging, textiles, ceramic tiles, and personalised documents, with a wide range of printers, inks, digital front ends, and a comprehensive business and production workflow suite that transforms and streamlines the entire production process, increasing your competitiveness and boosting productivity.

Visit www.efi.com/reggiani or call +39 035 3844511 for more information.



Nothing herein should be construed as a warranty in addition to the express warranty statement provided with EFI products and services.

The APPS logo, AutoCal, Auto-Count, Balance, BESTColor, BioVu, BioWare, ColorPASS, Colorproof, ColorWise, Command WorkStation, CopyNet, Cretachrom, Cretaprint, the Cretaprint logo, Cretaprinter, Cretaroller, Digital StoreFront, DocBuilder, DocBuilder Pro, DockNet, DocStream, DSFdesign Studio, Dynamic Wedge, EDOX, EFI, the EFI logo, Electronics For Imaging, Entrac, EPCount, EPPPhoto, EPRegister, EPStatus, Estimate, ExpressPay, FabriVU, Fast-4, Fiery, the Fiery logo, Fiery Driven, the Fiery Driven logo, Fiery JobFlow, Fiery JobMaster, Fiery Link, Fiery Navigator, Fiery Prints, the Fiery Prints logo, Fiery Spark, FreeForm, Hagen, InkIntensity, Inkware, LapNet, Logic, Metrix, MicroPress, MiniNet, Monarch, OneFlow, Pace, Pegasus, Pegasus Vision, PhotoXposure, PressVu, Printcafe, PrinterSite, PrintFlow, PrintMe, the PrintMe logo, PrintSmith, PrintSmith Site, PrintStream, Print to Win, Prograph, PSI, PSI Flexo, Radius, Remoteproof, RIPChips, RIP-While-Print, Screenproof, SendMe, Sincolor, Splash, Spot-On, TrackNet, UltraPress, UltraTex, UltraVu, UV Series 50, VisualCal, VUTEK, the VUTEK logo, and WebTools are trademarks of Electronics For Imaging, Inc. and/or its wholly owned subsidiaries in the U.S. and/or certain other countries.

All other terms and product names may be trademarks or registered trademarks of their respective owners, and are hereby acknowledged.

© 2020 ELECTRONICS FOR IMAGING, INC. ALL RIGHTS RESERVED. | WWW.EFI.COM