



efi REGGIANI FLEXY

Digital Printer

for Direct Printing on Fabric

Be flexible
without
compromise

A flexible printing solution

EFI™ Reggiani FLEXY is the printer designed to allow everyone to get into the industrial printing segment with the same performance and printing results that higher-range EFI Reggiani printers get.

Ideal solution for both production and sampling, FLEXY is equipped with a brand-new Dynaplast system to handle a wide variety of fabrics, ranging from knitted and woven to low- and high-stretch materials.

At a glance

- Sticky belt with Dynaplast system for optimised fabric adhesion with adjustable temperature and pressure
- Advanced ink recovery system
- Superior printing head reliability
- Tool free printing head alignment
- Effective fabric management system
- From 1 to 4 pass with high uniformity printing modes
- Ink usage and speed prediction
- Real-time image processing
- Multi-language intuitive user interface
- Media scan and auto-centering feature
- New reporting and diagnostic features
- Optimised ink performance with EFI Reggiani inks

APPLICATIONS	
Apparel and accessories	✓
Home textile	✓
Sportswear and footwear	✓
INKS	
Reactive	✓
Acid	✓
Disperse direct	✓
Disperse sublimation	✓
Textile pigment	✓
SUBSTRATES	
Cotton	✓
Polyester	✓
Polyamide	✓
Silk	✓
Viscose	✓
Polyester and elastane	✓
Polyamide and elastane	✓
Blends	✓





Features

- 8 printing heads with variable drop size
- Ink management: in-line double degassing and filtering
- Printing head crash protective system
- Steel beam with linear motor and magnetic encoder
- High-precision transportation belt
- Adhesion methods: thermoplastic, permanent, resin
- Embedded magnetic system for adhesive application
- Compact dryer
- Ink system open to certified suppliers
- Software open to main RIP vendors

Advantages

- Both for production and sampling
- Low maintenance costs
- Lowest ink usage
- Easy maintenance and access to main machine modules
- One operator can manage multiple machines

Improvements

- New enhanced ink recovery system to reduce ink waste
- High uniformity printing modes
- Improved aesthetics with new look and feel



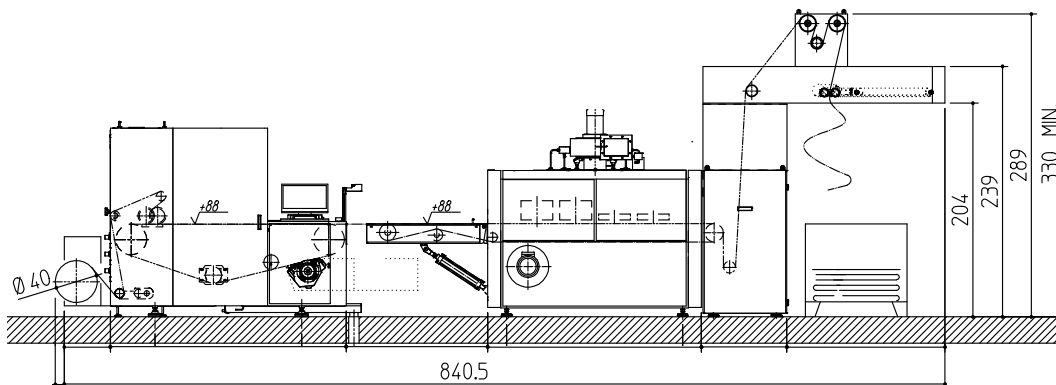
* Further colour configurations available

FLEXY			
RESOLUTION	PASS	LM/H	SQM/H
600x300	1	190	285
600x600	2	115	175
600x900	3	75	115
600x1200	4	60	90

Specifications

- Printing width 180 cm
- Production speed 175 sqm/h
- Printing heads 8
- Drop size from 4 to 72 pl
- DPI up to 2400
- Fabric weight from 30 to 350 gr/sqm (woven and knitted)
- **Fabric feed (Entry)**
 - Roll unwinder up to \varnothing 400 mm
- **Fabric take-up (Exit)**
 - Fold
 - Roll winder up to \varnothing 400 mm
 - Fold and roll winder up to \varnothing 400 mm (optional)
- **Dryer**
 - One industrial chamber with conveyor belt

EFI Reggiani FLEXY: regulatory model ReNOIR 180



EFI fuels success.

We develop breakthrough technologies for the manufacturing of signage, packaging, textiles, ceramic tiles, and personalised documents, with a wide range of printers, inks, digital front ends, and a comprehensive business and production workflow suite that transforms and streamlines the entire production process, increasing your competitiveness and boosting productivity.

Visit www.efi.com/reggiani or call +39 035 3844511 for more information.



Nothing herein should be construed as a warranty in addition to the express warranty statement provided with EFI products and services.

The APPS logo, AutoCal, Auto-Count, Balance, BESTColor, BioVu, BioWare, ColorPASS, ColorWise, Command WorkStation, CopyNet, Cretachrom, Cretaprint, the Cretaprint logo, Cretaprinter, Cretaroller, Digital StoreFront, DirectSmile, DocBuilder, DocBuilder Pro, DockNet, DocStream, DSFdesign Studio, Dynamic Wedge, EDOX, EFI, the EFI logo, Electronics For Imaging, Entrac, EPCount, EPPhoto, EPRegister, EPStatus, Estimate, ExpressPay, FabriVU, Fast-4, Fiery, the Fiery logo, Fiery Driven, the Fiery Driven logo, Fiery JobFlow, Fiery JobMaster, Fiery Link, Fiery Navigator, Fiery Prints, the Fiery Prints logo, Fiery Spark, FreeForm, Hagen, InkIntensity, Inkware, Jetrion, the Jetrion logo, LapNet, Logic, Metrix, MicroPress, MiniNet, Monarch, OneFlow, Pace, Pecas, Pecas Vision, PhotoXposure, PressVu, Printcafe, PrinterSite, PrintFlow, PrintMe, the PrintMe logo, PrintSmith, PrintSmith Site, PrintStream, Print to Win, Prograph, PSI, PSI Flexo, Radius, Remoteproof, RIPChips, RIP-While-Print, Screenproof, SendMe, Sincolor, Splash, Spot-On, TrackNet, UltraPress, UltraTex, UltraVu, UV Series 50, VisualCal, VUTEK, the VUTEK logo, and WebTools are trademarks of Electronics For Imaging, Inc. and/or its wholly owned subsidiaries in the U.S. and/or certain other countries.

All other terms and product names may be trademarks or registered trademarks of their respective owners, and are hereby acknowledged.

© 2020 ELECTRONICS FOR IMAGING, INC. ALL RIGHTS RESERVED. | WWW.EFI.COM