



**UJB - K32**  
Digital Textile Printer

Print without boundaries. Explore the extraordinary!

## The Ultrajet Bharat: A Reliable, Excellent Quality Machine That is Easy to Operate and Maintain

The UJB by Fab Nation Ind. is a state-of-the-art European Standard direct to fabric digital printer which offers unmatched printing performance and improves your production capacity. This amazing machine has Kyocera EX-600 high-performance print heads, which allow you to print at a high speed while achieving an exceptional print quality and consistency. Available in 8, 16 and 32 print heads version, it is adaptable to meet your specific printing requirements with multiple model options offering ■

- Easy and cost-efficient maintenance
- Quick set up time and superior reliability
- Easy access to main machine modules
- Best handling and adhesion for any textile substrates
- Flexibility to suit specific project needs
- Suitable for 24/7 operation
- Most efficient Ink consumption



**Production Speed**  
430m/hr, 482 m<sup>2</sup>/hr  
at 1.12m width

### UNIQUE FEATURES AT A GLANCE

**Air Blade system:** A unique contactless printhead cleaning system with forceless wiping technique, enhancing the life span of the print head.

**Print head maintenance system:** A unique built-in print head maintenance system integrated into the ink supply module, featuring an ink flow back system that allows seamless switching between ink and head cleaning fluid for regular print head cleaning.

**Load cell control:** This system provides full closed-loop engineering from media feeding up to media winding. The system automatically adjusts different media tension, force, and torque during the feeding process.

#### Connectivity Options:

- Seamless connection to a dryer with a heater nozzle and exhaust module for efficient drying.
- Option to opt for a professional dryer to enhance production workflow.

**Ink Consumption:** 4-6 ml/sq.mtr. (best in class).

**Display:** 10" touch panel display.

**Interface:** Express PCI and fiber optic.

**RIP:** Software open to main RIP providers.

**Washing Unit:** SUS washing unit with brush and wiper, motorized roller, sponge roller, sliding control device for easy maintenance. Optional heater system.



# Print without boundaries. Explore the extraordinary!



## Specifications

- EX-600 Kyocera Print Head / 32 pieces in 4 row, 4 / 8 Colours each row
- Print Width: 1850mm and 3250mm
- Blanket Length: 7685mm
- Operating temperature: 20 ~ 25 °C
- Relative Humidity: 60 ~ 65%
- Voltage: 415VAC, +/-10%, 3-phase, working 40amp, isolator 63amp, 50Hz / 60Hz
- High-precision transportation belt
- Printing head crash protective system
- Intergrated environmental sensor
- Easy-to-use print controls

## Electrical Specifications

- Connected load: 18 KW, 5 Wire 3 Phase 380~415V, 30Amp.
- Compressed Air: Min 6 bar (supply by customer with moisture separator)

## Dryer Specifications

- Pro Dryer (selection of gas, steam, thermal oil or electrical heat exchange)
- One / Two industrial chambers

## Inks

- ✓ Reactive
- ✓ Acid
- ✓ Disperse Direct
- ✓ Textile Pigment

## Substrates

- ✓ Cotton
- ✓ Linen
- ✓ Polyester
- ✓ Viscose
- ✓ Polyamide
- ✓ Polyester & Elastane
- ✓ Silk
- ✓ Blends
- ✓ Polyamide & Elastane
- ✓ Wools

## Applications

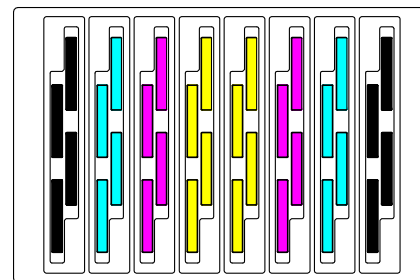
- ✓ Apparel & Fashion
- ✓ Home Textiles
- ✓ Sportswear & Activewear
- ✓ Textile Manufacturer
- ✓ Outdoor



## Ink Specifications

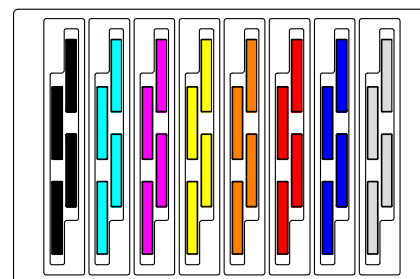
- Drop Size: Up to 72pl (variable)
- Ink System: 10L ink bottle, filter, degassing, and last chance filtering system on every ink, 3-way valve switchable between ink and cleaning solution for print head cleaning purpose.
- Ink Control: Air-generated positive and negative pressure
- Ink Purging: High-precision regulator, air valve, and manifold system
- Print Head Cleaning Station: UJB air suction cleaning (Patent no: PI2014000707, pending US patent)
- Ink system open to certified suppliers

UJB - K32 - 600 DPI - 4 Colours - 4 ROWS



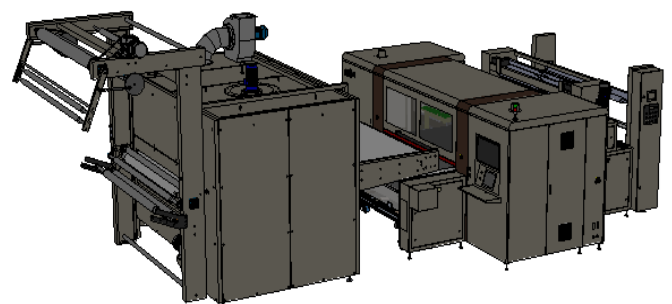
4 COLORS
   
 32 HEADS
   
 8 EACH ROW

UJB - K32 - 600 DPI - 8 Colours - 4 ROWS



8 COLORS
   
 32 HEADS
   
 8 EACH ROW
   
\*Other colors option is available.

PRINTING MODE	PASS	LM/H	SQM/H
Resolution 1 : 600 X 1200	2	430	482
Resolution 2 : 600 X 1800	3	287	321
Resolution 3 : 600 X 2400	4	215	240



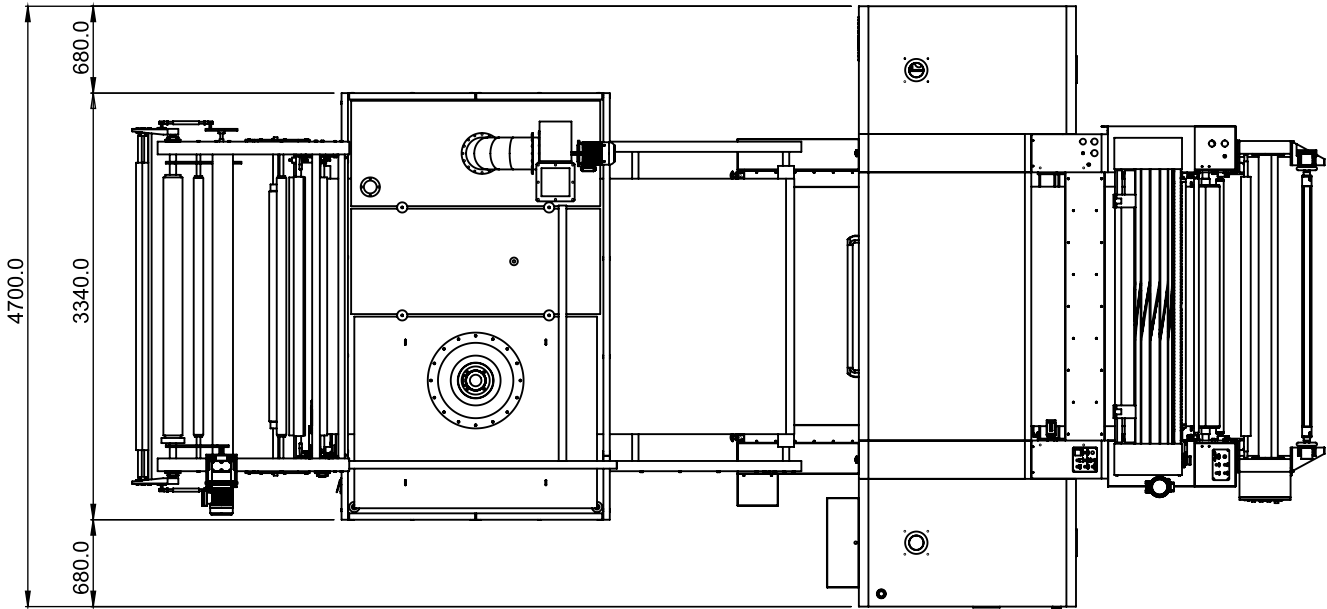
UJB K32: Pro Dryer + 600DPI EX + Optional Batching Roll

# UJB - K32

Digital Textile Printer for Direct Printing on Fabric

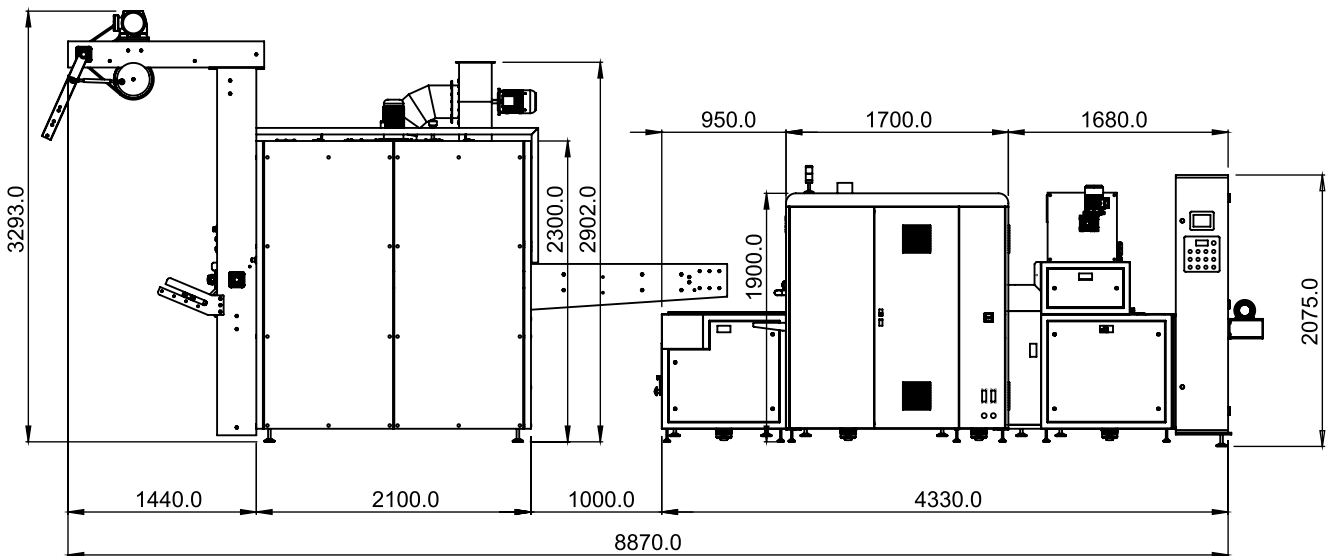


UJB K-32: Pro Dryer + 600DPI EX + Optional Batching Roll



TOP VIEW

UJB K-32: Pro Dryer + 600DPI EX + Optional Batching Roll



SIDE VIEW

Print without boundaries. Explore the extraordinary!



**UJB by Fab Nation Ind.**

(OEM / SALES & SERVICE)

**FAB DPTEx Pvt. Ltd.**

B-58, (L.G.) Golf Course Road, Sector-54  
Sun City, Gurgaon-122011  
Haryana, India.

417, 4th Floor, Oberon Building  
New City Light Road, Surat-395007  
Gujarat, India.

☎ +91-93111-18191 ✉ info@fabnationind.com 🌐 www.fabnationind.com