



UJB - K16

Digital Textile Printer


Print without boundaries. Explore the extraordinary!

The Ultrajet Bharat: A Reliable, Excellent Quality Machine That is Easy to Operate and Maintain

The UJB by Fabnation Ind. is a state-of-the-art European Standard direct to fabric digital printer which offers unmatched printing performance and improves your production capacity. This amazing machine has Kyocera EX-600 high-performance print heads, which allow you to print at a high speed while achieving an exceptional print quality and consistency. Available in 8, 16 and 32 print heads version is adaptable to meet your specific printing requirements with multiple model options offering ■



- Easy and cost-efficient maintenance
- Suitable for 24/7 operation
- Easy access to main machine modules
- Flexibility to suit specific project needs
- Most efficient Ink consumption
- Innovative and adaptive GUI with advanced queuing features

 **Production Speed**
215m/hr, 240m²/hr
at 1.12m width*

UNIQUE FEATURES AT A GLANCE

Air Blade system: A unique contactless printhead cleaning system with forceless wiping technique, enhancing the life span of the print head.

Print head maintenance system: A unique built-in print head maintenance system integrated into the ink supply module, featuring an ink flow back system that allows seamless switching between ink and head cleaning fluid for regular print head cleaning.

Load cell control: This system provides full closed-loop engineering from media feeding up to media winding. The system automatically adjusts different media tension, force, and torque during the feeding process.

Connectivity Options:

- Seamless connection to a dryer with a heater nozzle and exhaust module for efficient drying.
- Option to opt for a professional dryer to enhance production workflow.

Ink Consumption: 4-6 ml/sq.mtr. (best in class).

Display: 10" touch panel display.

Interface: Express PCI and fiber optic.

RIP: Software open to main RIP providers.

Washing Unit: SUS washing unit brush, wiper, motorized roller, sponge roller, sliding control for easy maintenance.





Specifications

- EX-600 Kyocera Print Head / 16 pieces in 2 row, 4 / 8 Colours each row
- Print Width: 1850mm and 3250mm
- Blanket Length: 3900mm
- Operating temperature: 20 ~ 25 °C
- Relative Humidity: 60 ~ 65%
- High-precision transportation belt
- Steel beam with linear motor and magnetic encoder

Electrical Specifications

- Connected load: 25KWA, 5 Wire 3 Phase 380~415V, 30Amp
- Compressed Air: Min 6 bar (supply by customer) / with moisture separator

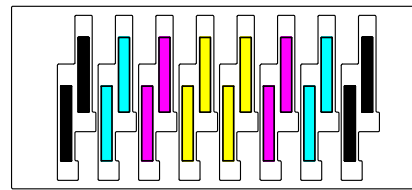
Dryer Specifications

- Dryer (selection of gas, steam, thermal oil or electrical heat exchange)
- Fabric take-up (Exit)
 - Fold
 - Roll winder upto 400 mm
- One industrial chamber with conveyor belt with one or three passages

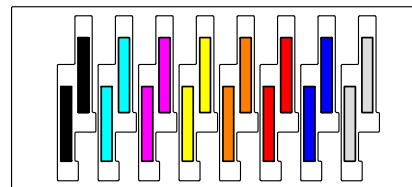
Ink Specifications

- Drop Size: up to 72pl (variable)
- Ink System: 10L ink bottle, filter, degassing, and last chance filtering system on every ink, 3-way valve switchable between ink and cleaning solution for print head cleaning purpose
- Ink Control: Air-generated positive and negative pressure
- Ink Purging: High-precision regulator, air valve, and manifold system
- Print Head Cleaning Station: UJB air suction cleaning (Patent no: PI2014000707, pending US patent)
- Ink system open to certified suppliers

UJB - K16 - 600 DPI - 4 Colours - 2 ROWS



UJB - K16 - 600 DPI - 8 Colours - 2 ROWS



Inks

- ✓ Reactive
- ✓ Acid
- ✓ Disperse Direct

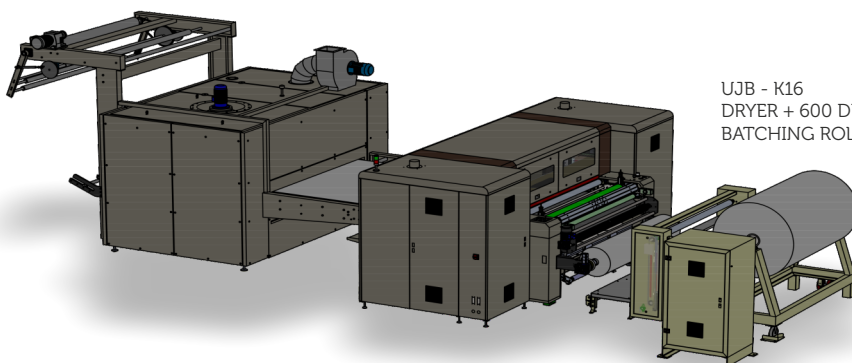
Substrates

- ✓ Cotton
- ✓ Polyester
- ✓ Polyamide
- ✓ Silk
- ✓ Viscose
- ✓ Polyester & Elastane
- ✓ Polyamide & Elastane
- ✓ Blends
- ✓ Linen

Applications

- ✓ Apparel & Fashion
- ✓ Home Textiles
- ✓ Sportswear & Activewear
- ✓ Textile Manufacturer

PRINTING MODE	PASS	LM/H	SQM/H
Resolution 1 : 600 X 1200	2	215	240
Resolution 2 : 600 X 1800	3	143	161
Resolution 3 : 600 X 2400	4	108	120



UJB - K16
DRYER + 600 DPI EX +
BATCHING ROLL (Optional)

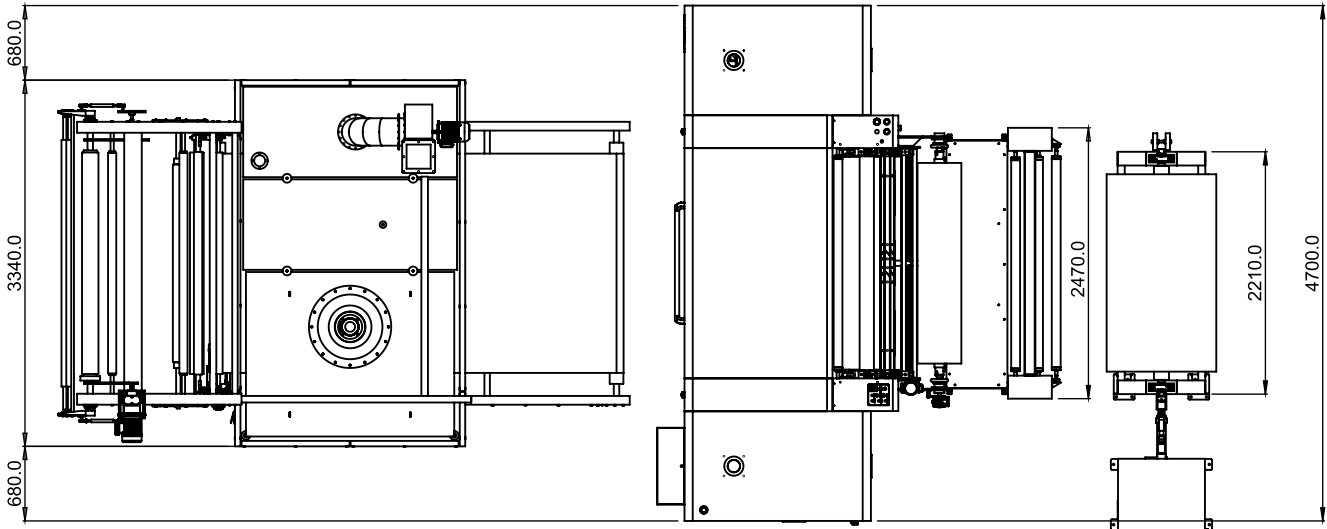


UJB - K16

Digital Textile Printer for Direct Printing on Fabric

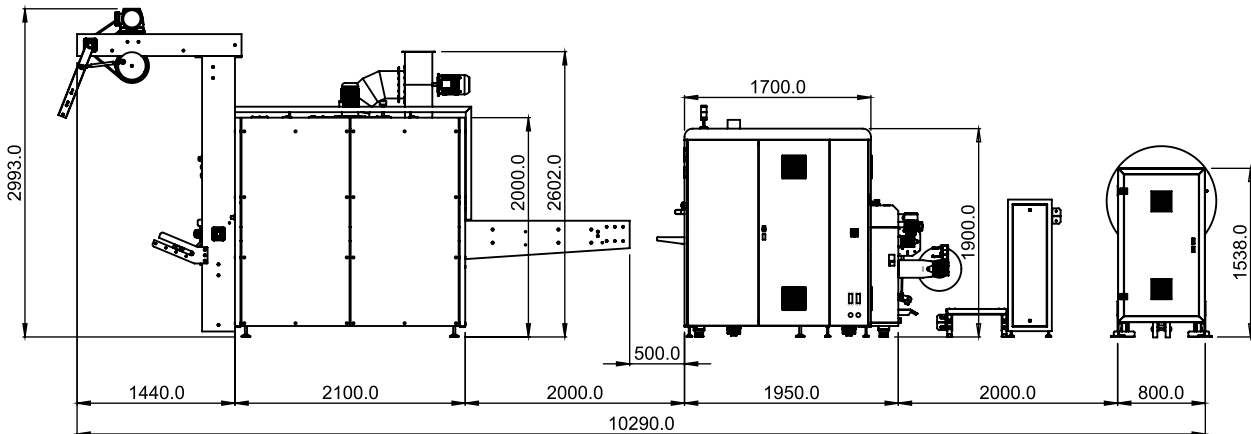


UJB K-16: DRYER + UJB K-16 + BATCHING ROLL (Optional)



TOP VIEW

UJB K-16: DRYER + UJB K-16 + BATCHING ROLL (Optional)



SIDE VIEW

Print without boundaries. Explore the extraordinary!



UJB by Fab Nation Ind.

(OEM / SALES & SERVICE)

FAB DPTEx Pvt. Ltd.

B-58, (L.G.) Golf Course Road, Sector-54
Sun City, Gurgaon-122011
Haryana, India.

417, 4th Floor, Oberon Building
New City Light Road, Surat-395007
Gujarat, India.

☎ +91-93111-18191 ✉ info@fabnationind.com 🌐 www.fabnationind.com